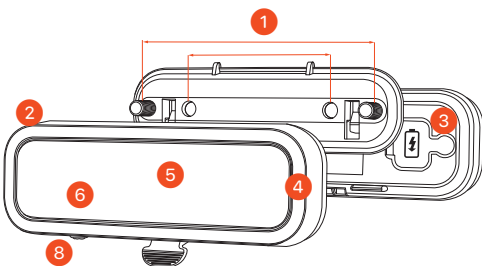
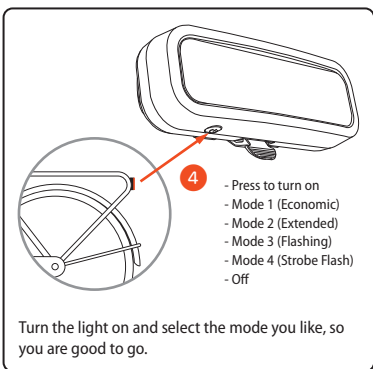
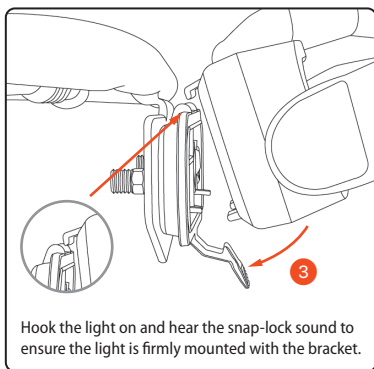
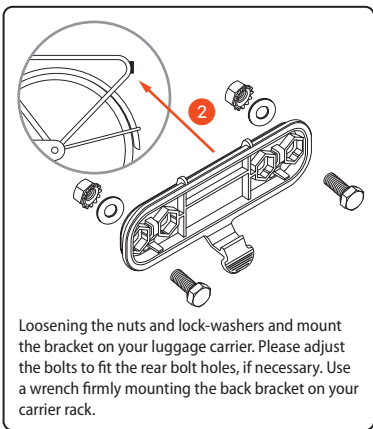
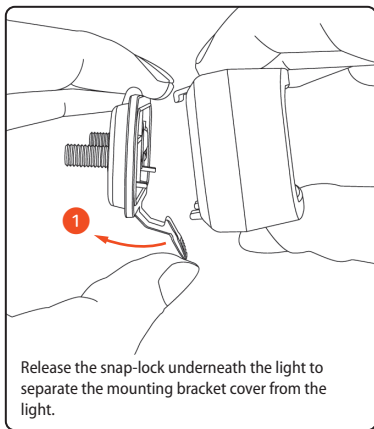


Product and Installation Instruction

- ❶ 50/80 mm mounting bracket
- ❷ Light body -IPX6 Rating
- ❸ Micro-USB charging port
- ❹ Light Guide -ISO6742/StVZO Compliance
- ❺ Retroreflector -StVZO Compliance
- ❻ Low-power and charging indicator
- ❼ Power and Mode Selection Button



Installation



Battery Power and Charging

- Charging the battery: Compatible Micro-USB Charging Cable: 5V / 1.0A
* Take around 180 mins to be fully charged
- Modes and Battery Runtime
 - Mode 1: Economic: 90+ HRs (Recharge Every 2 Months)
 - Mode 2: Extended: 43+HRs (Recharge Every Month)
 - Mode 3: Flashing: 160+ HRs (Recharge Every 3 Months)
 - Mode 4: Strobe Flashing: 240+ HRs (Recharge Every 3 Months)

While the battery is running low, a small red LED indicator starts flashing. Under the condition, the light would last approximately 1 hour. Please recharge the light as soon as possible.

Battery runtime is tested on continuous lighting condition. Actual results may vary depending on the daily use or commute time. Please consider recharging the light on a regular basis.

Product Specification.

Light Source:

- 14 Sideview Red LEDs, 1cd (MAX.) each
- 2 Superbright Red LEDs, 10cd (MAX.) each

Power Source:

- Micro-USB Rechargeable Li-polymer Battery 3.7V, 2000mAh

Low Battery Indicator: Yes.

Bolts Spacing Compatibility on Rack: 50 and 80 mm

Size: 108*40*33 mm

Weight: 83g